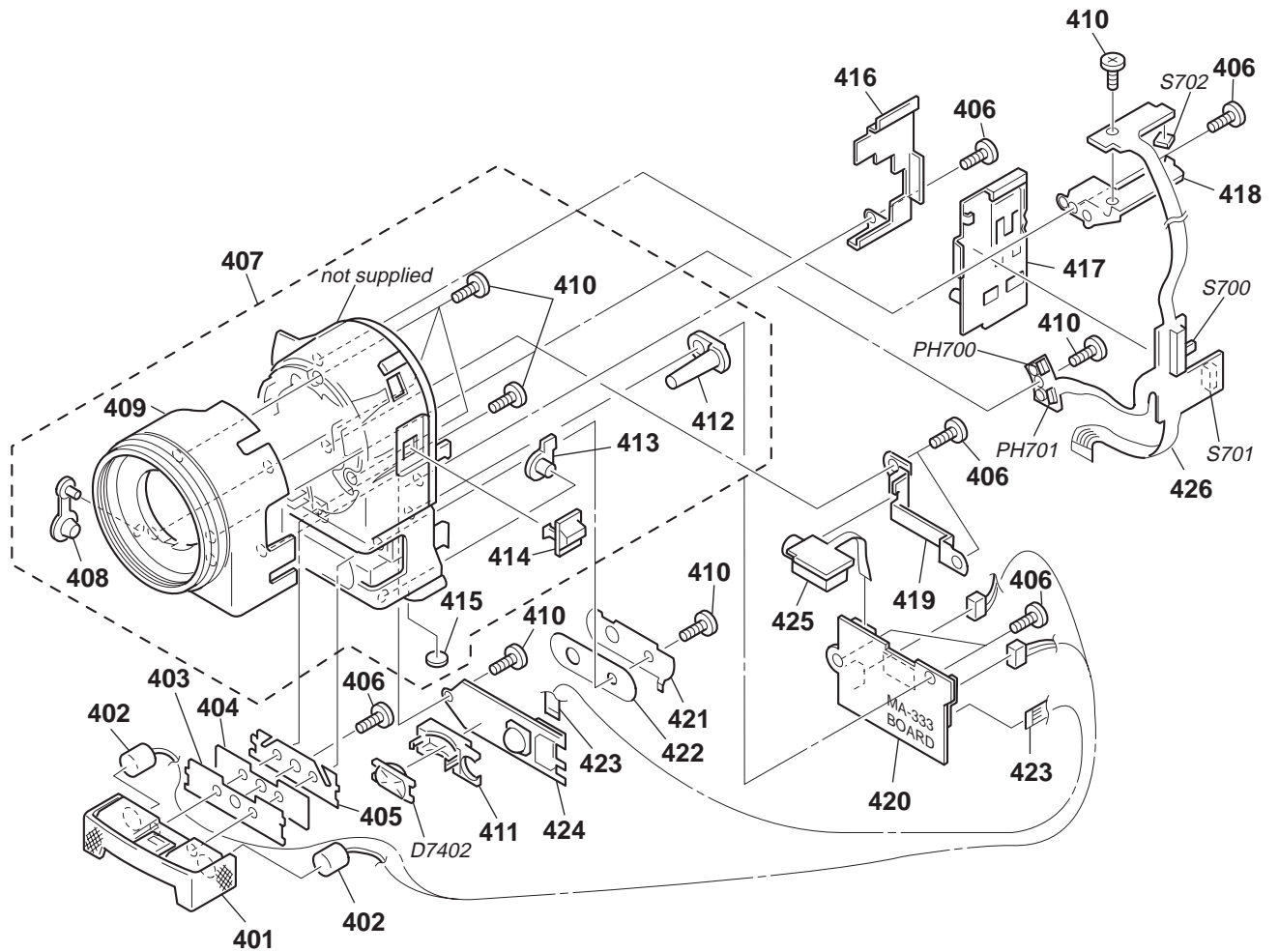


### 6-1-9. FRONT PANEL SECTION



Ref. No.	Part No.	Description	Remarks	Ref. No.	Part No.	Description	Remarks
401	X-3948-950-1	GRILLE ASSY, MICROPHONE		417	X-3948-949-1	RETAINER ASSY, MF	
402	1-418-014-11	MICROPHONE UNIT		418	X-3948-954-1	RETAINER ASSY, ND	
403	3-051-926-01	LID, MICROPHONE		* 419	3-051-887-01	RETAINER, JACK	
* 404	3-051-927-01	PLATE, MICROPHONE CLOSE UP		420	A-7073-680-A	MA-333 BOARD, COMPLETE	
405	3-051-928-01	PLATE, VIBRATION PROOF		* 421	3-051-888-01	RETAINER, MICROPHONE	
406	3-948-339-01	SCREW, TAPPING B2		422	3-051-891-01	CUSHION, MICROPHONE RETAINER	
407	X-3949-002-1	PANEL ASSY, FRONT		423	1-670-991-11	FP-37 FLEXIBLE BOARD	
408	3-051-942-01	LID, MICROPHONE JACK		424	A-7073-681-A	RI-10 BOARD, COMPLETE	
409	3-051-907-11	COVER, FRONT		425	1-670-989-21	FP-22 FLEXIBLE BOARD	
410	3-968-729-51	SCREW (M2), LOCK ACE, P2		426	1-670-988-21	FP-21 FLEXIBLE BOARD	
411	3-719-845-01	SCREW (B2X4), TAPPING				(INCLUDE S700,S701,S702)	
* 412	3-051-912-01	TALLY, FRONT		D7402	8-719-061-86	DIODE DCR2810 (R)	
* 413	3-051-940-01	WINDOW, SIDE IR		PH700	8-749-014-54	HIC CNA1312K01S0	
414	3-051-935-01	MF KNOB		PH701	8-749-014-54	HIC CNA1312K01S0	
* 415	3-051-944-01	FOOT, RUBBER		S700	1-771-487-21	SWITCH, SLIDE	
* 416	3-051-929-01	REINFORCEMENT, MF		S701	1-762-851-21	SWITCH, TACT	
				S702	1-762-851-21	SWITCH, TACT	